

Grate in Housing (Easy Clean)

Swenco Easy to Clean Grate in Housing combines the advantages of the extreme Strength of Rare magnetic tube With ease of operation of sliding the grate for cleaning the grate cleaning the contamination trapped.

All the tubes in each bank can be cleaned without having to wipe them by hand. Manual Push Pull ensures that all the contaminants trapped and accumulated is stripped of the tube surface and discharged into ferrous discharge chute provided integral to the housing.

The tubes are housed in a dust tight stainless steel housing provide with inlet and outlet flange for ease of installation on square, rectangular or round pipes.

The housing can be configured to hold one or two rows of Grates.

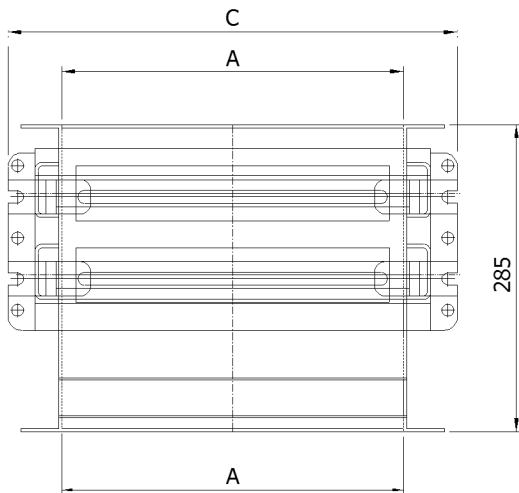
An Inspection door is provided at the rear of the housing which is locked with quick release toggle clamps.

FEATURES

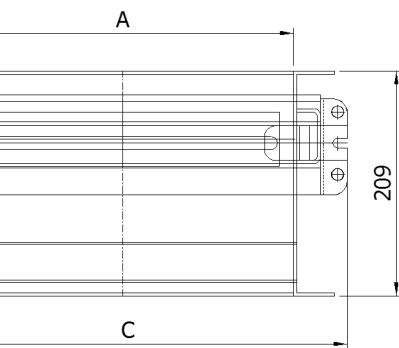
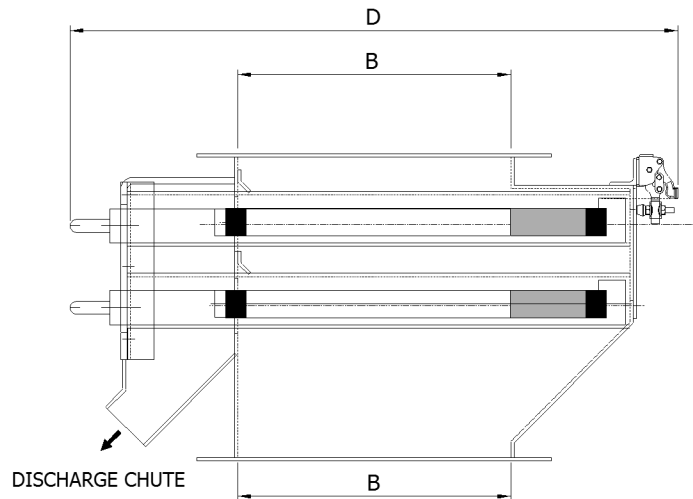
- **Stainless Steel Housing**
- **Separate contamination Discharge Chute**
- **Pull-push design for scraping of accumulated contamination**
- **Available in one or two rows of grate**
- **Available with Rare Earth or Ferrite magnetic circuit**
- **Inlet and outlet flanges provided with holes for ease of installation**



DIMENSIONS



GH2 (Easy to Clean)



GH1 (Easy to Clean)

16-1/2 x 14	419	356	519	668	8	8+7
14-1/2 x 12	368	305	468	617	7	7+6
12-1/2 x 10	318	254	418	566	6	6+5
10-1/2 x 8	267	203	367	515	5	5+4
8-1/2 x 6	216	152	316	464	4	4+3
Model	A	B	C	D	No. of Tubes(GH1)	No. of Tubes(GH2)