

## GRATE MAGNETS

### DESCRIPTION

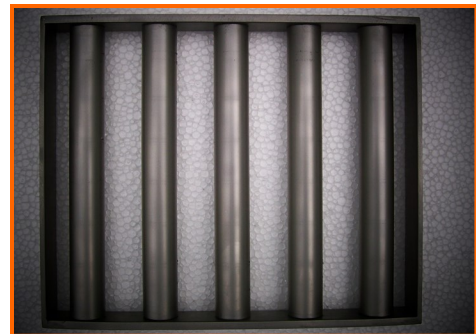
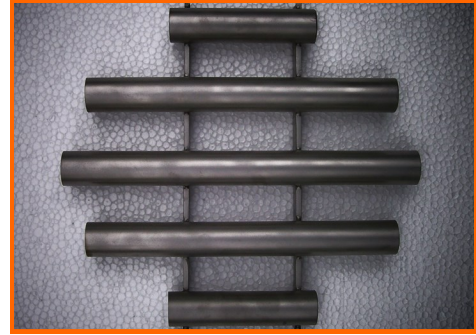
Swenco Grate-style Hopper magnets comes in variety of shapes and sizes for use in square, rectangular or conical hoppers, chutes, housings and bins. They are designed for trapping fine ferrous contaminant from free flowing powdery or granular material conveyed by gravity. Grates should have at least twice the cross-sectional area of the hopper outlet opening.

Standard units feature 1" diameter tubes in SS304 with High Intensity Rare Earth magnetic cartridges mounted at 2" centers. The frames are of SS304 Construction.

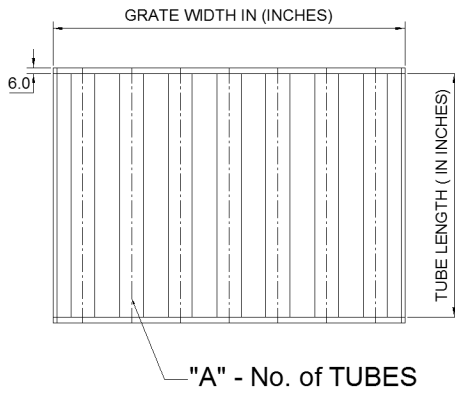
Special sizes can be designed to customer specification.

### FEATURES.

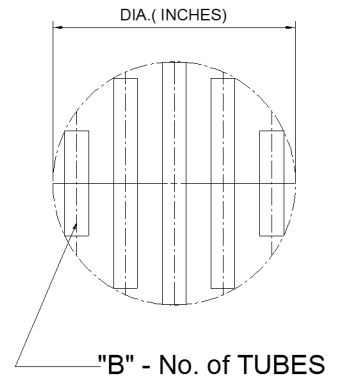
- **Magnets are encased in Stainless Steel Tubes.**
- **High Intensity Rare Earth Magnets.**
- **Special Magnetic circuits for High Temperature application.**
- **Stainless Steel frame for Rectangular and Square Grates.**
- **Circular Grates for Conical Hoppers.**
- **Available in various sizes.**



## DIMENSIONS



RECTANGULAR GRATE - RG



CIRCULAR GRATE - CG

		LENGTH OF MAGNET IN INCHES						A
		6	8	10	12	14	16	
WIDTH OF GRATE IN INCHES	4.5	RG4565	RG4585	RG45105	RG45125	RG45145	RG45165	2
	6.5	RG6565	RG6585	RG65105	RG65125	RG65145	RG65165	3
	8.5	RG8565	RG8585	RG85105	RG85125	RG85145	RG85165	4
	10.5	RG10565	RG10585	RG105105	RG105125	RG105145	RG105165	5
	12.5	RG12565	RG12585	RG125105	RG125125	RG125145	RG125165	6
	14.5	RG14565	RG14585	RG145105	RG145125	RG145145	RG145165	7
	16.5	RG16565	RG16585	RG165105	RG165125	RG165145	RG165165	8

		B
-	-	-
CG6		3
CG8		4
CG10		5
CG12		5
CG14		6
CG16		7